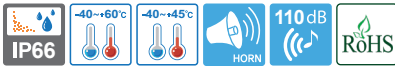
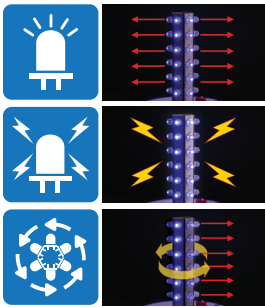


# QNES series

Ø92mm Explosion Proof LED Signal/ Warning Light and Electric Sounder Combination



Flame proof LED signal light that features steady/flashing, strobe, and simulated revolving light functions in one unit



- **LED Steady/ Flashing**  
Repeat operation of LED light on/off
- **LED Strobe**  
Short LED steady/flashing. Creates a xenon flashing effect by providing maximum electric current
- **LED Simulated Revolving Flashing**  
LED flashes steadily around the cylindrical LED filaments which makes a simulated revolving effect



### Instruction for Light Function Switch

ON=1 / OFF=0

Can select 4 different kinds of light functions with switch configuration

No.	1	2	Operation
0	0	0	LED Steady
1	0	1	LED Flashing
2	1	0	LED Strobe
3	1	1	LED Simulated revolving flashing

### Specifications(QNES/ QNES-SUS/ QNES-BS)

- Explosion proof, multifunctional, and compact LED signal light and electric sounder combination designed for use in explosive gas environments with Ex d IIC rating
- Features excellent shock and vibration resistance, maintenance significantly reduced with long-lasting LED light source
- Features superior durability with aluminum housing(QNES)
- STS housing provides superior durability and corrosion resistance(QNES-SUS)
- Fully enclosed structure with protection rating of IP66
- Housing standard color : Red, MUNSELL No. 7.5BG 7/2
- Cable entry : 1/2" NPT
- Sound volume: Max. 110dB at 1m
- Flashing rate(LF type) : 60-80 flashes/min.
- Strobe rate(LS type) : 70-80 flashes/min.
- Simulated revolving rate(LR type) : 120-140RPM
- Materials : Lens-Tempered glass, Inner lens-PC, Bracket-ST304, Protection cage-ST316, Housing-Al(QNES), STS(QNES-SUS)
- Certificates : ATEX, IECEx, KCs
- Protection rating : ATEX -  $\text{Ex}$  II2G Ex db IIC T5/T6 Gb, IP66  
IECEX - Ex db IIC T5/T6 Gb, IP66  
KCs - Ex d IIC T6/T5, IP66
- Ambient operating temperature :  $-40^{\circ}\text{C} \leq T_{\text{amb}} \leq +60^{\circ}\text{C}$ (T5)  
 $-40^{\circ}\text{C} \leq T_{\text{amb}} \leq +45^{\circ}\text{C}$ (T6)



QNES



QNES-SUS

### QNES Explosion Proof Signal/ Warning Light and Electric Sounder Combination

- Features superior durability with aluminum housing

Model number	Voltage	Current	Sound pattern and volume	Certificates	Weight	Color
QNES	DC12V-24V	Max. 1.872A	• WS-5 Warning sounds : 110dB • WP-5 Special warning sounds : 110dB • WM-5 Melodies : 105dB	IECEx ATEX	3.15kg	<ul style="list-style-type: none"> <li>• R-Red</li> <li>• A-Amber</li> <li>• G-Green</li> <li>• B-Blue</li> </ul>
	AC110V-230V	Max. 0.301A	• WA-5 Alarms : 105dB • WV-5 Customizable voices : 103dB	KCs		

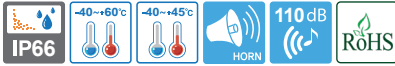
### QNES-SUS Explosion Proof Signal/ Warning Light and Electric Sounder Combination

- STS housing provides superior durability and corrosion resistance

Model number	Voltage	Current	Sound pattern and volume	Certificates	Weight	Color
QNES-SUS	DC12V-24V	Max. 1.872A	• WS-5 Warning sounds : 110dB • WP-5 Special warning sounds : 110dB • WM-5 Melodies : 105dB	IECEx ATEX	7.60kg	<ul style="list-style-type: none"> <li>• R-Red</li> <li>• A-Amber</li> <li>• G-Green</li> <li>• B-Blue</li> </ul>
	AC110V-230V	Max. 0.301A	• WA-5 Alarms : 105dB • WV-5 Customizable voices : 103dB	KCs		

# QNES series

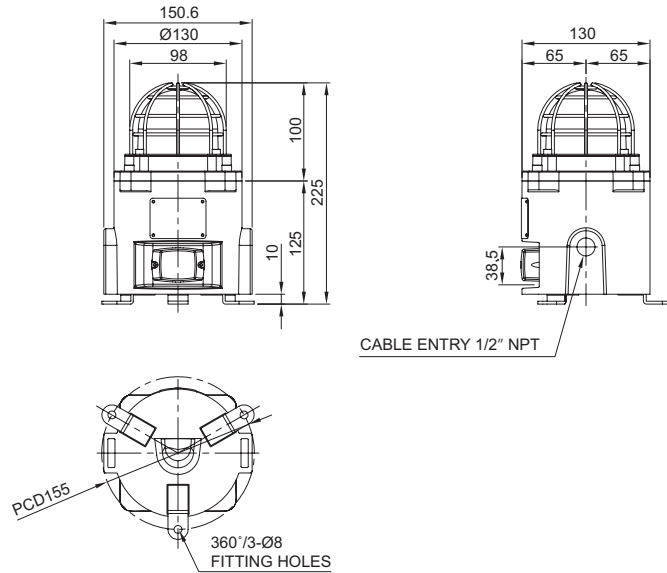
Ø92mm Explosion Proof LED Signal/ Warning Light and Electric Sounder Combination



## Technical Diagram

(Units : mm)

QNES/ QNES-SUS



## Customization

- Built-in explosion proof cable gland  
Standard type does not provide explosion proof cable gland
- Two way cable entries
- M20x1.5 cable entry
- ATEX certified type
- IECEx certified type
- Housing, housing cover color : MUNSELL No. 7.5BG 7/2



## Ordering Specification

QNES	WS	110/230	R	SUS
[Model number]	[Sound]	[Voltage]	[Color]	[Housing material]
<ul style="list-style-type: none"> <li>• QNES</li> </ul>	<ul style="list-style-type: none"> <li>• WS-Warning sounds</li> <li>• WP-Special warning sounds</li> <li>• WM-Melodies</li> <li>• WA-Alarms</li> <li>• WV-Customizable sounds</li> </ul>	<ul style="list-style-type: none"> <li>• 12/24</li> <li>-DC12V-24V</li> <li>• 110/230</li> <li>-AC110V-230V</li> </ul>	<ul style="list-style-type: none"> <li>• R-Red</li> <li>• A-Amber</li> <li>• G-Green</li> <li>• B-Blue</li> </ul>	<ul style="list-style-type: none"> <li>• (Blank) - Al</li> <li>• SUS - STS</li> </ul>